

REINFORCED

BEAM SCHEDULE

BEAM MKD.	SECTION	REINF. (SUPPORT)		REINF. (SPAN)		STIRRUP
		TOP	BOTTOM	TOP	BOTTOM	
B1	250X350	3-12 2-16	3-16	3-12	5-16	2L-8T@150 c/c
B2	125X500	4-16	4-16	4-16	4-16	2L-8T@150 c/c
B3	250X500	3-20 2-16	3-20	3-20	5-20	2L-8T@150 c/c
B4	300X600	3-20 3-20	3-20	3-20	3-20	2L-8T@150 c/c
B5	400X600	5-20	5-25	5-20	5-25	4L-8T@150 c/c
ALL TIE BEAMS	250X500	5-16	3-16	3-16	5-16	2L-8T@150 c/c

SCHEDULE OF R.C.C. FOUNDATION

PILE CAP MKD.	COL MKD.	SIZE OF FOOTING	NO OF PILE	DIA. OF PILE	REINFORCEMENT			
					TOP LAYER		BOTTOM LAYER	
					SHT. SPAN	LONG SPAN	SHT. SPAN	LONG SPAN
P1	C1,C3,C14,C17,C18,C16A	1200X2200	2	500Ø	16 T @125C/C.	16 T @125C/C.	16 T @125C/C.	16 T @125C/C.
P2	C11+LIFT	2000X1000	6	500Ø	16 T @150C/C.	16 T @150C/C.	16 T @150C/C.	16 T @150C/C.
P3	ALL OTHERS	AS PER DRG.	3	500Ø	16T @110C/C.	16 T @110 C/C.	16 T @110C/C.	16 T @110C/C.

PILE MKD.	REINFORCEMENT		DIA. OF PILE	CUT OF PILE	LENGTH OF PILE
	REINFORCEMENT	STIRRUP			
ALL PILE	10-16T	8 T @115 C/C.(END) 8 T @125 C/C.(MID)	450Ø,500Ø	1.5M.	22M.

SLAB SCHEDULE

SLAB MKD.	THICKNESS	REINFORCEMENT	
		MAIN REINF.	DISTRIBUTION
(S)	175 MM	10 T @ 150 c/c	10 T 150 c/c

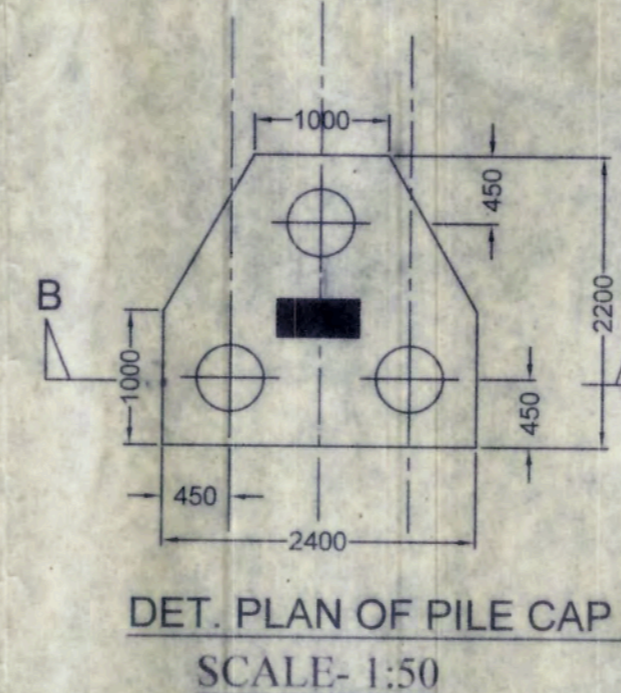
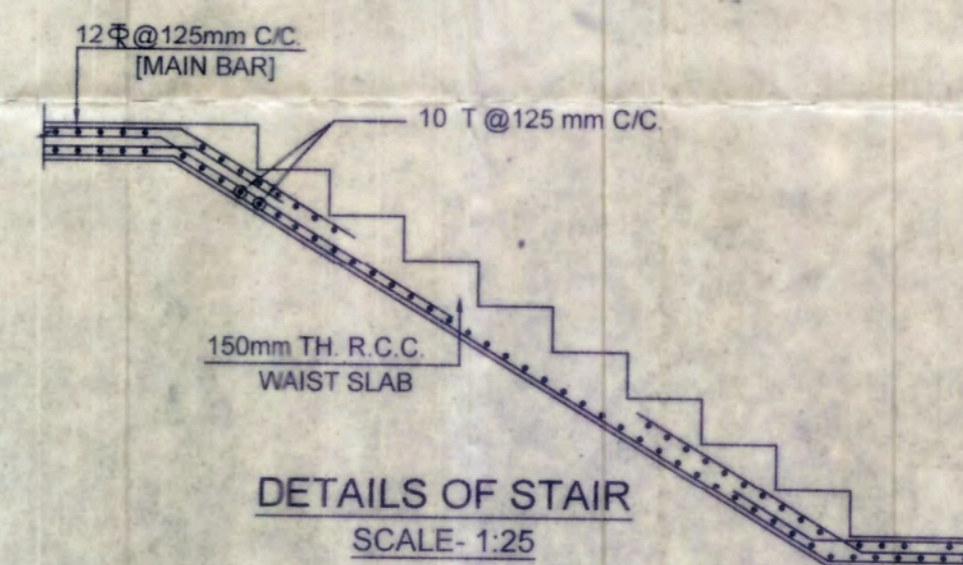
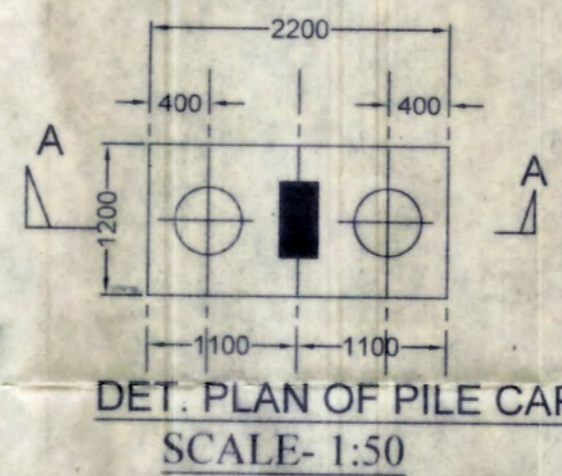
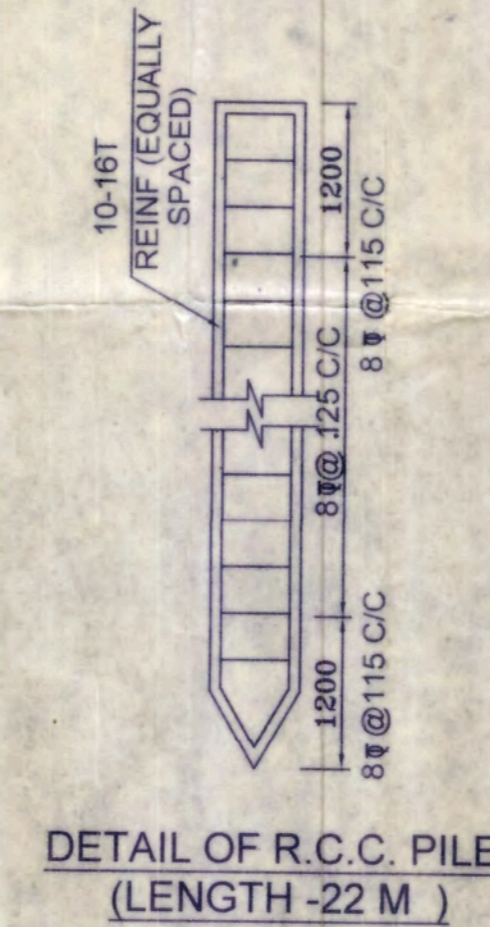
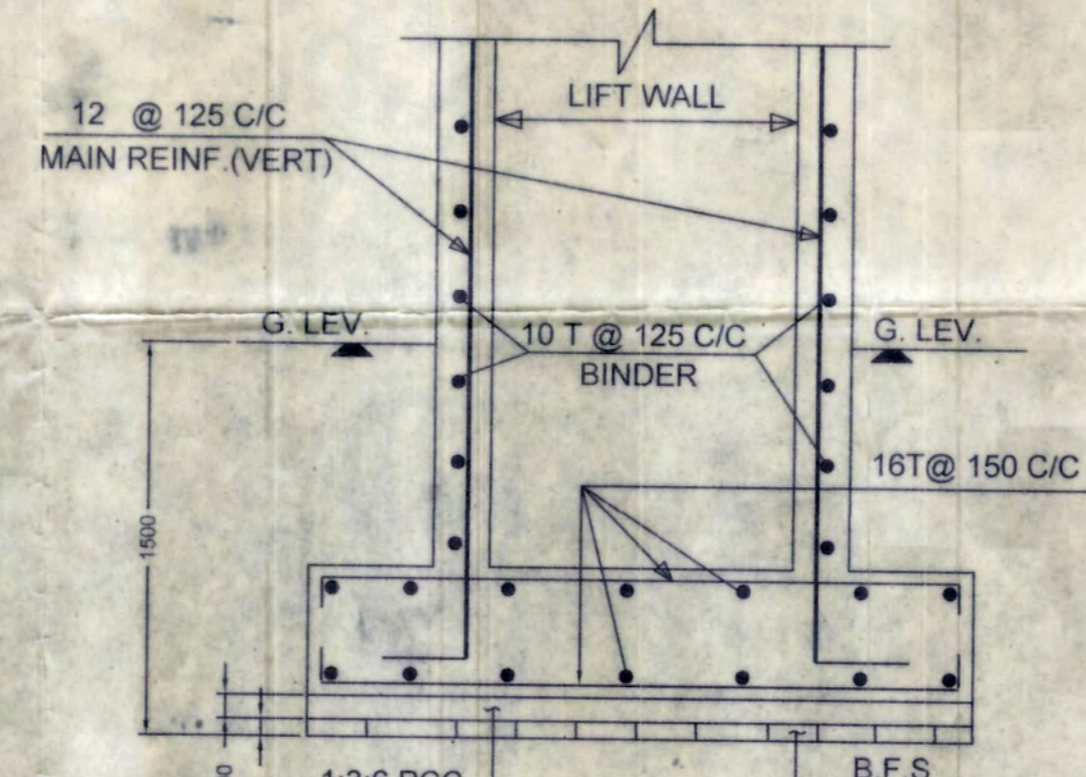
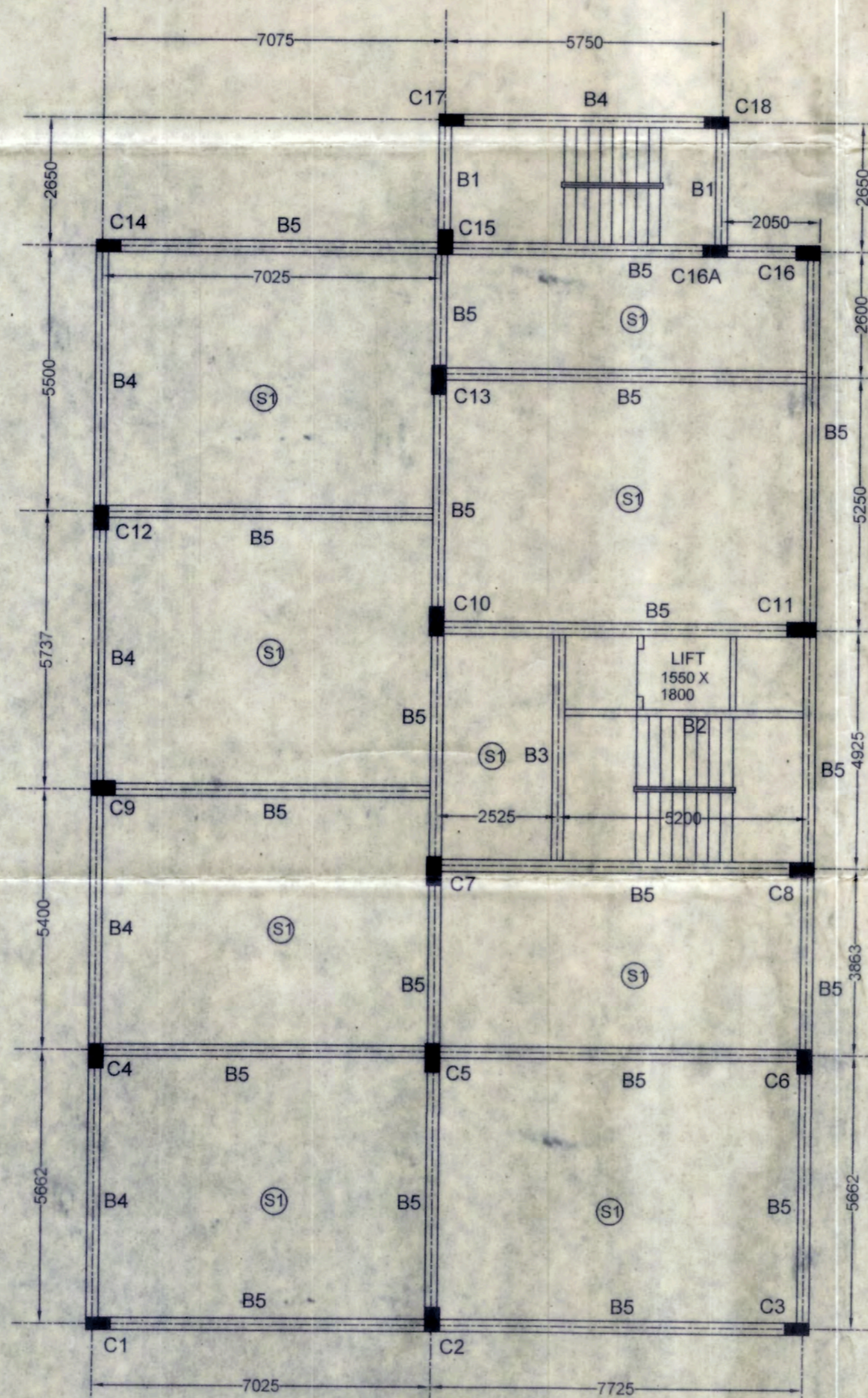
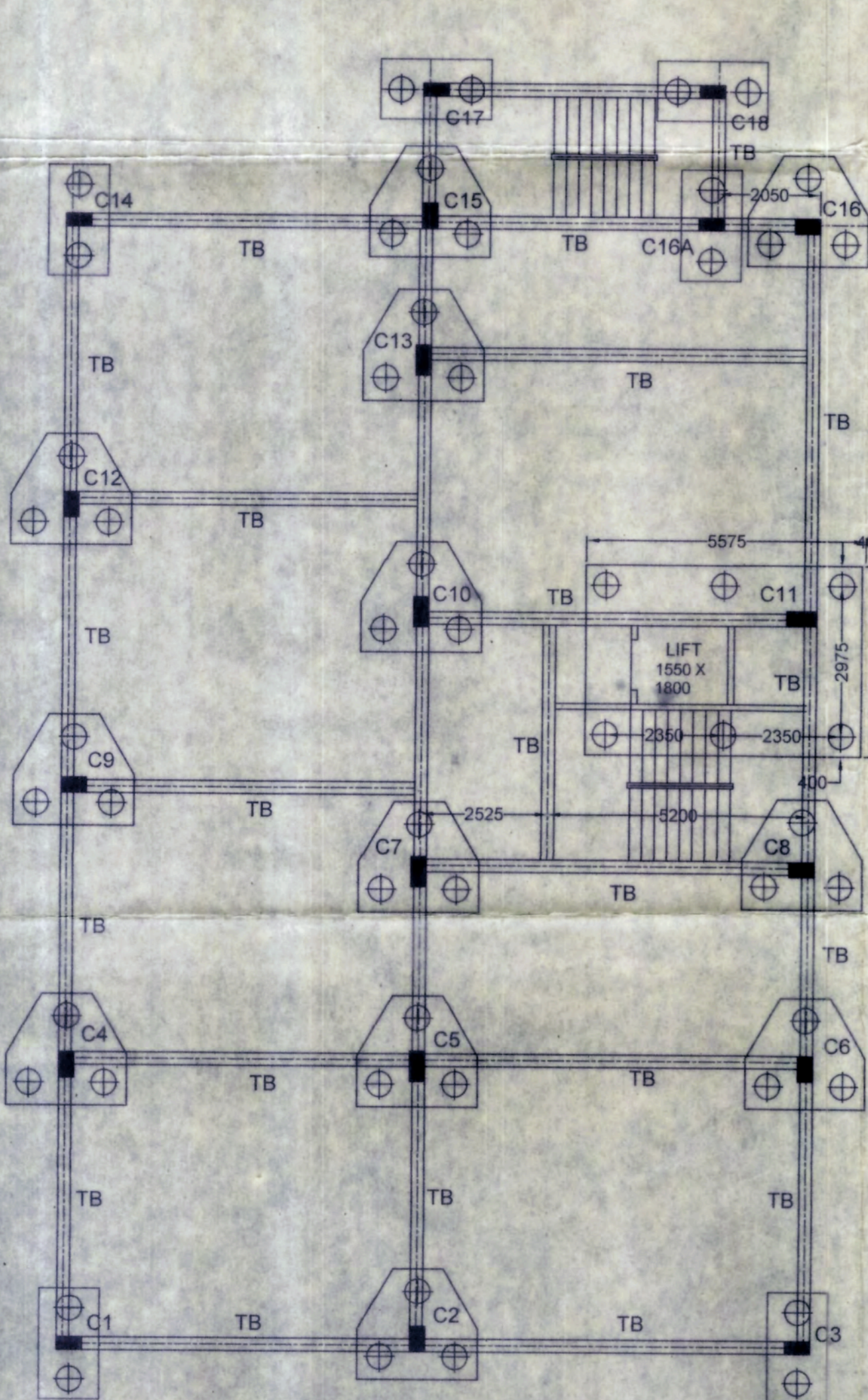
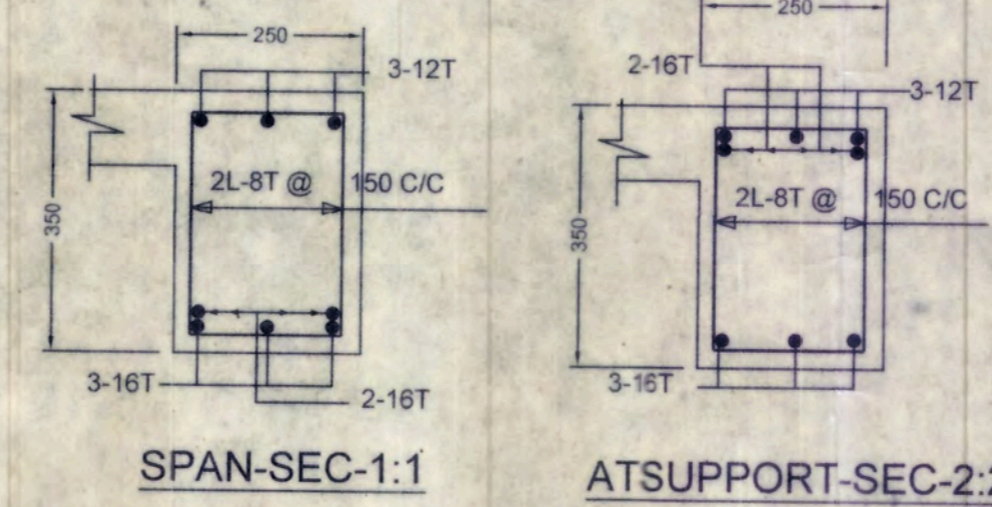
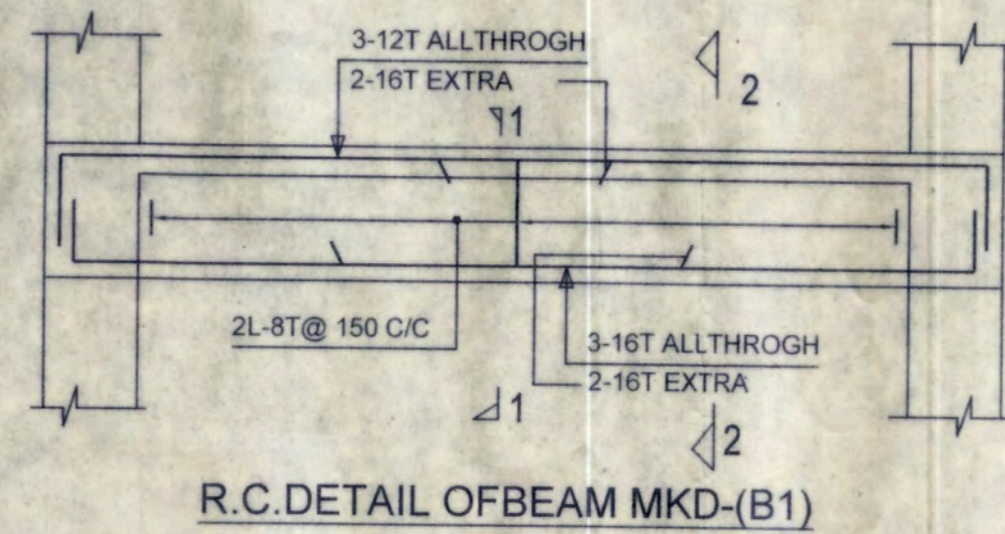
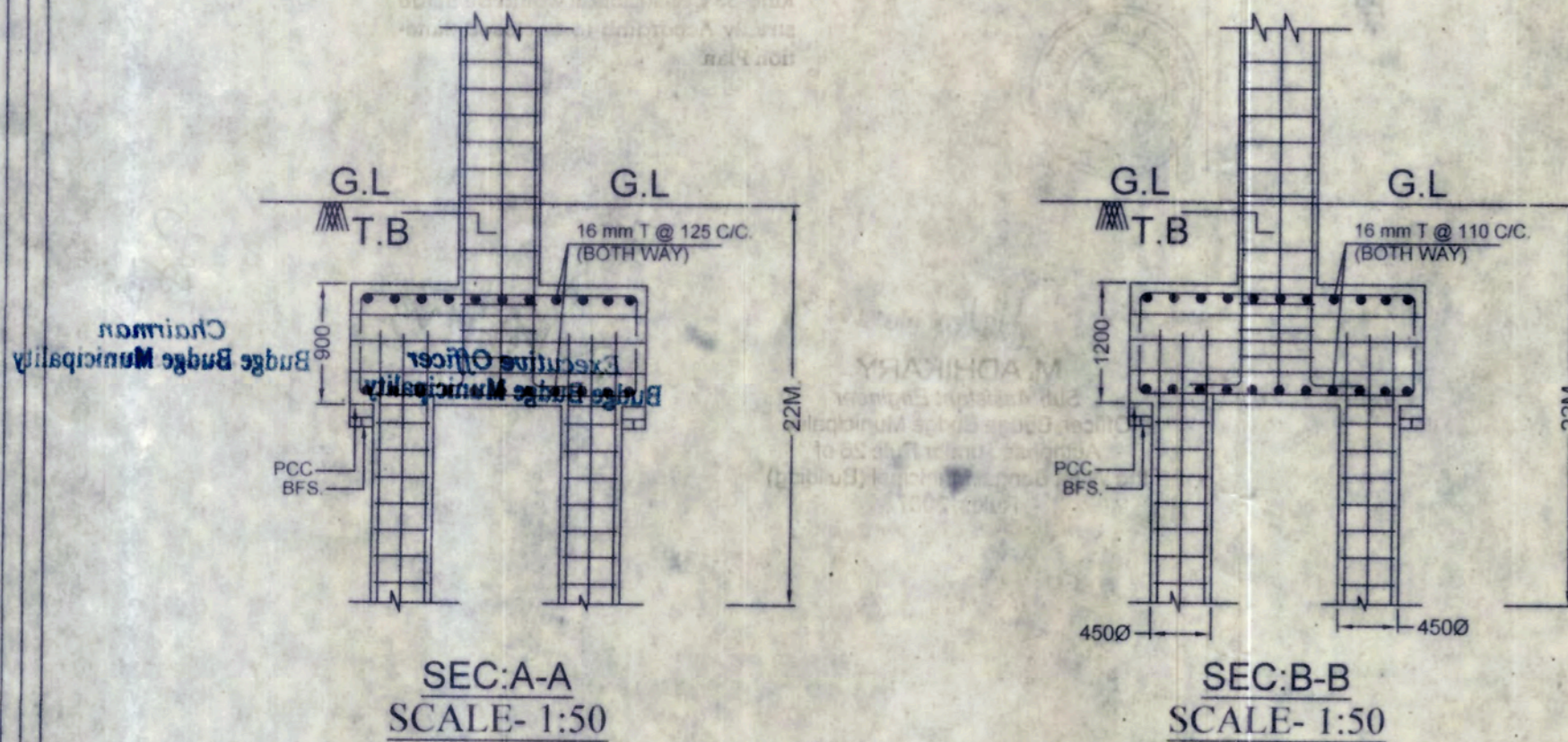
PROVIDE 10 T 150 c/c AT EDGES AS EXTRA TOP

COLUMN SCHEDULE

COLUMN MKD.	SECTION	REINFORCEMENT	TIE
C1,C3,C14,C17,C18,C16A	250X500	10-16T	4L-8T@150 c/c
C5,C7,C10,C11,C13	300X600	10-20 T	4L-10T@125 c/c
ALL OTHERS	300X500	10-20 T	4L-10T@125 c/c

SCHEDULE OF R.C.C. PILE

PILE MKD.	REINFORCEMENT		DIA. OF PILE	CUT OF PILE	LENGTH OF PILE
	REINFORCEMENT	STIRRUP			
ALL PILE	10-16T	8 T @115 C/C.(END) 8 T @125 C/C.(MID)	450Ø,500Ø	1.5M.	22M.



NOTES & SPECIFICATIONS

- ALL DIMENSIONS ARE IN MM UNLESS OTHERWISE MENTIONED.
- GRADE OF CONCRETE M20 AND GRADE OF STEEL FE415.
- CENTER LINE GIVEN HERE ARE BEAM CL ONLY.
- IN CASE OF ANY DISCREPANCY IN DWG REFER TO ARCHITECT.
- FOUNDATION - 1) BOTTOM COVER-50MM SHOULD BE MAINTAINED.
- 2) SIDE COVER-75MM.
- 3) COLUMN - CLEAR COVER -40MM.
- 4) BEAM - 1)TOP-25MM, 2)BOTTOM-25MM, 3)SIDE-15MM.
- 5) SLAB - 1) BOTTOM-15MM, 2) SIDE-15MM.
- EXTRA TOP REINFORCEMENT - 0.25XC/C DISTANCE OF DISCONTI. SUPT.
- EXTRA TOP REINFORCEMENT - 0.25XC/C DISTANCE OF CONTI. SUPT.
- EXTRA BOTTOM REINFORCEMENT - 0.10XC/C DISTANCE OF DISCONTI. SUPT.
- EXTRA BOTTOM REINFORCEMENT - 0.15XC/C DISTANCE OF CONTI. SUPT.
- SLAB:-
- 1)TOP CURTAILMENT OF BAR - 0.10XC/C DISTANCE OF DISCONTINUOUS EDGE
- 2)TOP CURTAILMENT OF BAR - 0.15XC/C DISTANCE OF CONTINUOUS EDGE
- 3)BOTTOM CURTAILMENT OF BAR - 0.15XC/C DISTANCE OF DISCONTI. EDGE
- 4)BOTTOM CURTAILMENT OF BAR - 0.25XC/C DISTANCE OF CONTI. EDGE
- 5) EXTRA TOP CURTAILMENT OF BAR - 0.30XC/C DISTANCE OF CONTI. EDGE.
- BOND/LAP LENGTH FOR REINFORCEMENT-50D. PILE DEPTH SHOULD BE MAINTAINED -22M.

Dipankar Sadhukhan
Structural Engineer-I
Budge Budge Municipality
Reg. No.: BBM/BD/12

SIGN. OF STRUCTURAL ENGINEER
DECLARATION OF L.B.S.

Soumen Pramanick
SOU MEN PRAMANICK
LBS Clas: II
Budge Budge Municipality
SIGN. Reg. No. 11

Bofan Vyapaar Pvt. Ltd.
Satyen Chandra
Director
Director

SIGN. OF OWNER

S. VEDHAR REDDY
REGISTERED ARCHITECT
Regd. No. CA/2001/28517

SIGN. OF GEO-TECH

RESIDENTIAL APARTMENT BUILDING COMPLEX
OF M/S BOFAN VYAPAAR PRIVATE LIMITED AT
HOLDING NO. 74/B, ADHAR DAS ROAD, AT MOUZA
KALINAGAR BADE, J.L. NO. 07, R.S. DAG NO. 830,
832, 833, 834, 835, 836, 837, 838, 839, 840 & 841,
L.R. DAG NO. 926, 930, 931, 932, 933, 934, 935, 936,
937, 938 & 941, UNDER L.R. KHATIAN NO. 2347,
P.S. BUDGE BUDGE, DIST. SOUTH 24 PARGANAS,
UNDER BUDGE BUDGE MUNICIPALITY, WARD
NO14.

COMMUNITY BLOCK:
STRUCTURAL DRAWINGS

DWG. NO : 20 S15 17
DATE : 4/7/21
S.D : SB
DRAWN BY : S. ROY



SANCTIONED

Regd. No. 31
Date 15/11/2021
Name Sri Satyendra Gupta Director of M/s Bofon Vyapar Pvt. Ltd.
Address 74/B, Acharya Das Road,
Ward No. 14

Building Plan Sanctioned under Rule-21 (1) of the West Bengal Municipal (Building) Rules-2007 by the Board of Councillors at a meeting held on 26/08/2022 at item no. 12/30/2022

Building Permit No. 23/BDDWD/2022-2023
Date 11/01/2023
Valid up to 25/08/2025
Renewal within 25/08/2025

Intimation to be Submitted Regarding Completion of work in from-G under Rule-33 Construction would be made strictly According to enclosed Sanction Plan



M.A. Adhikary 11/01/2023
M. ADHIKARY
Sub Assistant Engineer
Officer, Budge Budge Municipality
Authorised under Rule 26 of the West Bengal Municipal (Building) Rules, 2007

S. S. Ghosh
S. S. Ghosh
Executive Officer
Budge Budge Municipality

S. S. Ghosh 13.01.23
S. S. Ghosh
Chairman
Budge Budge Municipality

NOTES SPECIFICATIONS
1. The building shall be constructed in accordance with the provisions of the West Bengal Municipal (Building) Rules, 2007.
2. The building shall be constructed in accordance with the approved plan and specifications.
3. The building shall be constructed in accordance with the approved plan and specifications.
4. The building shall be constructed in accordance with the approved plan and specifications.
5. The building shall be constructed in accordance with the approved plan and specifications.
6. The building shall be constructed in accordance with the approved plan and specifications.
7. The building shall be constructed in accordance with the approved plan and specifications.
8. The building shall be constructed in accordance with the approved plan and specifications.
9. The building shall be constructed in accordance with the approved plan and specifications.
10. The building shall be constructed in accordance with the approved plan and specifications.

DEPARTMENT OF STRUCTURAL ENGINEERING
BUDGE BUDGE MUNICIPALITY
REGD. NO. BBMB/12
11/01/2023